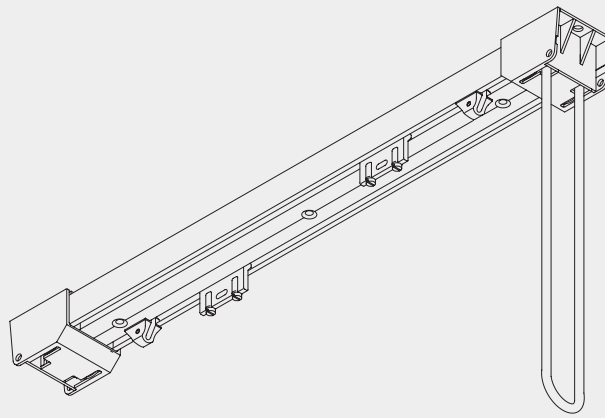


Heavy Duty and Stage Curtain Track System

Silent Gliss® 6370



Product Information

- Curtain track system with twin channel for heavy applications like small stages, conference rooms and very heavy contract and domestic use.
- Cost effective system for small stages. Due to twin channel infinite overlap.
- The maximum size of the system is 15m in width and 70 kg in weight.
- For straight and bent applications with single, double or multiple symmetrical stacks.
- Standard colours: anodised aluminium.
- Custom paint colours on application.
- Simple direct to the ceiling fixing (through profile).
- The minimum bending radius is 50 cm.
- Delivered ready assembled.
- Large and attractive fabric offer.



6370